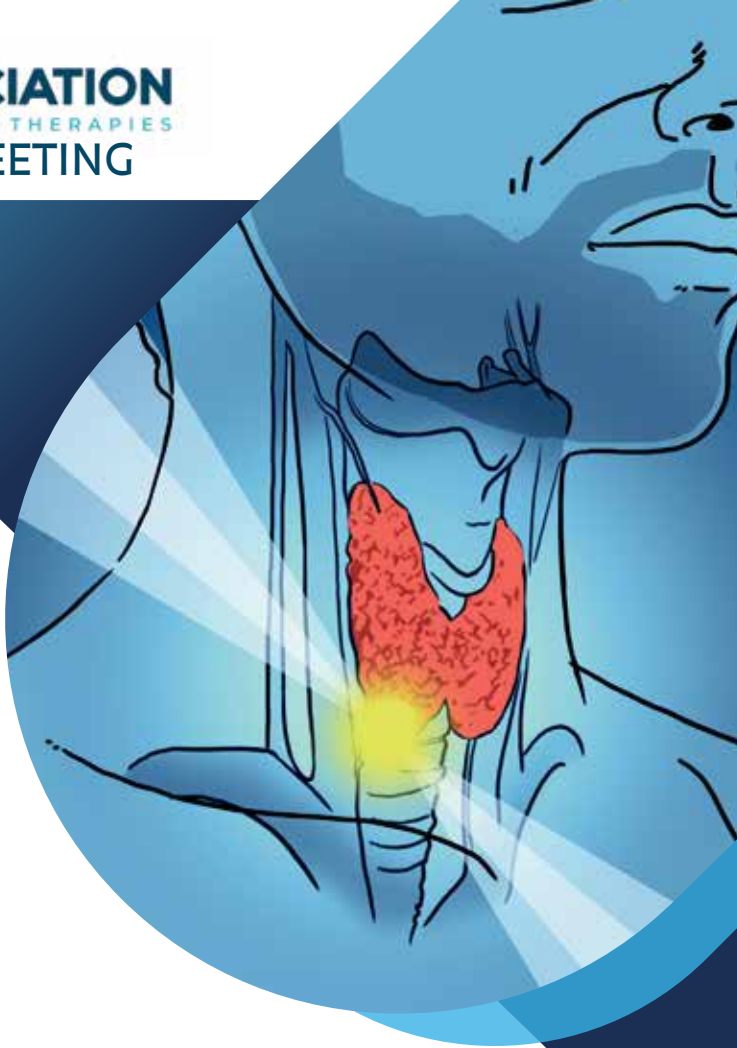


TNT ASSOCIATION
THYROID NODULE THERAPIES
2nd TNT MEETING

**JUNE
23-24
2023**

**REGGIO
EMILIA
ITALY**



2nd International Meeting on
**Ultrasound-Guided Minimally
Invasive Therapies**

THYROID NODULE THERAPIES (TNT) ASSOCIATION
WWW.THYROIDNODULETHERAPIESASSOCIATION.COM

RATIONALE

Minimally invasive, ultrasound (US)-guided thyroid treatment modalities are effective and safe alternatives to surgery in patients with benign thyroid cysts, solid non-functioning benign thyroid nodules, and in solid hyper-functioning nodules. In addition, they may also have a role in the management of primary micro-papillary tumors or recurrent thyroid cancers.

These procedures include the use of chemical agents such as Ethanol Ablation (EA), or thermal thyroid tissue destruction through Laser Ablation (LA), Radiofrequency Ablation (RFA), Microwave Ablation (MWA) and High Intensity Focused Ultrasound (HIFU).

During the 2nd TNT Meeting, that follows the success of the 1st TNT Meeting, first-class experts will chair outstanding speakers who will present the state-of-the-art of all ultrasound-guided thyroid minimally invasive procedures, and new horizons in the treatment of thyroid nodules.

Hands-on practice will also be available for those participants who want to try thermal ablation devices on their own.

MEETING PRESIDENT AND LOCAL ORGANIZER

Roberto Valcavi

*The TNT (Thyroid Nodules Therapies) Association President
Health Director - Endocrine & Thyroid Clinic (ETC), Reggio Emilia, Italy*

SCIENTIFIC COMMITTEE

Baek, Jung Hwan - Seoul, Republic of Korea

Çakır, Bekir - Ankara, Turkey

Fukunari, Nobuhiro - Yokoama, Japan

Hodak, Steven - New York City, NY, USA

Mercante, Giuseppe - Milan, Italy

Novizio, Roberto - Reggio Emilia, Italy

Serres-Créixams, Xavier - Barcelona, Spain

Squarcia, Mattia - Barcelona, Spain

Valcavi, Roberto - Reggio Emilia, Italy

FACULTY

- Abraham, Devaprabu** - *Endocrinologist, Salt Lake City, UT, USA*
- Aljamal, Jules** - *Interventional Endocrinologist, Salt Lake City, UT, USA*
- Baek, Jung Hwan** - *Interventional Radiologist, RFA Specialist, Seoul, Republic of Korea*
- Baldwin, Chelsey** - *Endocrinologist, New York City, NY, USA*
- Bhaseen, Ashok** - *TFI International, Montreal, QC, Canada*
- Ceresini, Graziano** - *Endocrinologist, Parma, Italy*
- Colao, Annamaria** - *Endocrinologist & Molecular Oncologist, Naples, Italy*
- Dueñas, Juan Pablo** - *Endocrine Surgeon, Medellin, Colombia*
- Evranos Oğmen, Berna** - *Endocrinologist, Ankara, Turkey*
- Fawzy, Mohamed** - *Radiologist, Il Cairo, Egypt*
- Frasoldati, Andrea** - *Endocrinologist, Reggio Emilia, Italy*
- Fukunari, Nobuhiro** - *Head & Neck Surgeon, Yokohama, Japan*
- Giannitto, Caterina** - *Radiologist, Milan, Italy*
- Gharib, Hossein** - *Endocrinologist, Rochester, MN, USA*
- Hodak, Steven** - *Endocrinologist, New York City, NY, USA*
- Mauri, Giovanni** - *Interventional Radiologist, Milan, Italy*
- Mercante, Giuseppe** - *Head & Neck Surgeon, Milan, Italy*
- Negro, Roberto** - *Endocrinologist, Lecce, Italy*
- Nikiforov, Yuri** - *Thyroid Molecular Biologist, Pittsburgh, PA, USA*
- Novizio, Roberto** - *Endocrinologist, Reggio Emilia, Italy*
- Papi, Giampaolo** - *Endocrinologist, Carpi, Italy*
- Passandi, Fateme** - *Endocrinologist, Teheran, Iran*
- Pontecorvi, Alfredo** - *Endocrinologist, Rome, Italy*
- Portioli, Italo** - *Endocrinologist & Internist, Dean, Reggio Emilia, Italy*
- Randolph, Gregory** - *Head & Neck Surgeon, Boston, MA, USA*
- Rosselet, Patrick Olivier** - *Endocrinologist, Lausanne, Switzerland*
- Russ, Gilles** - *Interventional Radiologist, Paris, France*
- Serres-Créixams, Xavier** - *Interventional Radiologist, Barcelona, Spain*
- Shuhang, Xu** - *Interventional Endocrinologist, Nanjing, China*
- Sinclair, Catherine** - *Head & Neck Surgeon, Malvern, VIC, Australia*
- Squarcia, Mattia** - *Interventional Radiologist, Barcelona, Spain*
- Turtulici, Giovanni** - *Interventional Radiologist, Genoa, Italy*
- Stan, Marius** - *Endocrinologist, Rochester, MN, USA*
- Vidili, Gianpaolo** - *Internist & Ultrasound Interventional Oncologist, Sassari, Italy*
- Valcavi, Roberto** - *Interventional Endocrinologist, Reggio Emilia, Italy*
- Volpi, Erivelto** - *Head & Neck Surgeon, São Paulo, Brazil*

DAY
1

**FRIDAY 23
JUNE 2023**

PROGRAM

SESSION 1 - Thyroid Anatomy and Ultrasonology

Chairmen: Fateme Passandi - Patrick Olivier Rosselet

8:00 - 9:00 am	Registration
9:00 - 9:10 am	President's Welcome <i>Roberto Valcavi</i>
9:10 - 9:20 am	Introduction <i>Italo Portioli</i>
9:20 - 9:40 am	Ultrasound Normal Anatomy of the Neck and MRI & CT Scan Features <i>Caterina Giannitto</i>
9:40 - 10:00 am	Surgical Anatomy of the Neck and Structures at Risk During Ablative Therapies <i>Erivelto Volpi</i>
10:00 - 10:20 am	TIRADS & Scan Assistant Softwares and Artificial Intelligence <i>Giovanni Turtulici</i>
10:20 - 10:40 am	Thyroid Nodular Pathology: an Overview <i>Marius Stan</i>
10:40 - 11:00 am	Panel Discussion
11:00 - 11:30 am	<i>Coffee Break</i>

SESSION 2 - Diagnosis of Thyroid Nodules

Chairmen: Annamaria Colao - Hossein Gharib

11:30 - 11:50 am	Fine Needle Aspiration Biopsy (FNAB) & Core Needle Biopsy (CNB). How to Manage with Hypervigilant Patients <i>Andrea Frasoldati</i>
11:50 am - 12:10 pm	Thyroid Nodule Profiling using Next Generation Sequencing (NGS) and ThyroSeq <i>Steven Hodak</i>
12:10 - 12:30 pm	Contrast Enhanced Ultrasound (CEUS) in Thyroid Interventional Procedures <i>Xavier Serres-Créixams</i>
12:30 - 12:50 pm	Minimally Invasive Therapy Selection for Thyroid Lesions <i>Chelsey Baldwin</i>
12:50 - 1:10 pm	Panel Discussion
1:10 - 2:00 pm	<i>Light lunch</i>

DAY
1

FRIDAY 23
JUNE 2023

SESSION 3 - Minimally Invasive Thyroid Therapies
Chairmen: Marius Stan - Giampaolo Vidili

2:00 - 2:20 pm	Thyroid US-Guided Minimally-Invasive Therapies. Ambulatory or Operating Room Setting? <i>Roberto Valcavi vs Steven Hodak</i>
2:20 - 2:40 pm	How to Select a Nodule for Success and to Protect Vital Structures <i>Catherine Sinclair</i>
2:40 - 3:00 pm	Learning Curve of Thyroid Ablative Procedures <i>Gilles Russ</i>
3:00 - 3:20 pm	Thermal Ablation for Graves' Disease <i>Xu Shuhang</i>
3:20 - 3:40 pm	Ethanol Ablation: Indication and Outcomes <i>Devaprabu Abraham</i>
3:40 - 4:00 pm	Panel Discussion
4:00 - 4:30 pm	<i>Coffee Break</i>

SESSION 4 - Benign Thyroid Nodule Ablation
Chairmen: Jung Hwan Baek - Alfredo Pontecorvi

4:30 - 4:50 pm	Thyroid Radiofrequency Ablation <i>Roberto Valcavi</i>
4:50 - 5:10 pm	Hyperfunctioning Thyroid Nodule Ablation <i>Jules Aljammal</i>
5:10 - 5:30 pm	Thyroid Laser Ablation <i>Roberto Negro</i>
5:30 - 5:50 pm	Thyroid HIFU Ablation <i>Mohamed Fawzy</i>
5:50 - 6:10 pm	Thyroid Microwave Ablation <i>Mattia Squarcia</i>
6:10 - 6:30 pm	Panel Discussion

NON - CME SESSION

8:00 - 9:00 pm	Dinner Symposium - Molecular Testing of Thyroid Nodules <i>Yuri Nikiforov</i>
9:00 pm	Gala Dinner

DAY
2 **SATURDAY 24**
JUNE 2023

SESSION 5 - Malignant Thyroid Tumors Management
Chairmen: Graziano Ceresini - Catherine Sinclair

9:00 - 9:20 am	Active Surveillance in Micropapillary Cancer (MicroPTC) <i>Hossein Gharib</i>
9:20 - 9:40 am	Thyroid Ablation of MicroPTC <i>Roberto Novizio</i>
9:40 - 10:00 am	Thyroid Microwave Ablation of Malignant Tumors <i>Giovanni Mauri</i>
10:00 - 10:20 am	Thyroid Radiofrequency Ablation of Inoperable Malignant Tumors <i>Jung Hwan Baek</i>
10:20 - 10:40 am	What is the Future of Thyroid Ablation? <i>Gregory Randolph</i>
10:40 - 11:00 am	Panel Discussion
11:00 - 11:30 am	Coffee Break

SESSION 6 - Beyond Thyroid Ablation
Chairmen: Berna Evranos Oğmen - Mattia Squarcia

11:30 - 11:50 am	Surgical and Pathological Changes after Thyroid Ablation <i>Nobuhiro Fukunari</i>
11:50 am - 12:10 pm	Clinical Cases Discussion <i>Juan Pablo Dueñas, Giampaolo Papi</i>
12:10 - 12:30 pm	Patient Advocacy: a Patient' Point of View <i>Ashok Bhaseen</i>

SESSION 7 - Lectio Magistralis
Chairmen: Gregory Randolph - Erivelto Volpi

12:30 - 1:10 pm	To Resect or not to Resect: this is the Question <i>Giuseppe Mercante</i>
-----------------	--

FINAL REMARKS

1:10 - 1:20 pm	New Perspectives for the TNT Association <i>Roberto Valcavi</i>
1:20 - 2:20 pm	Light lunch

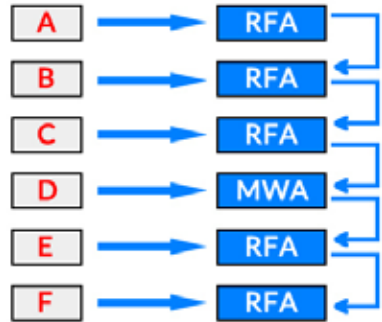
SESSION 8 - Hands on course

(only for registered participants) | 02:30 – 6:30 p.m.

- Radiofrequency
- Microwave

Participants will be split into groups (example: A, B, C, D, E, F), and each group will be assigned to one station.

The numbers of stations & tutors would be defined based on number of participants



SESSION 9 - Free Communications

Parallel Session | 02:30 – 6:30 p.m.

Free Communications should be submitted to thyroid.association@gmail.com **within April 30, 2023.**

Attach to your email a **maximum 350 words** abstract on a word sheet.

Abstracts will be reviewed by the Scientific Committee of the 2nd TNT Meeting that will decide on papers acceptance.

Depending on the number of Free Communications received, the Scientific Committee reserves the right to decide whether to hold an oral presentation session or a poster session selecting for oral presentation the most worthy abstracts in terms of originality.

Abstracts should be addressed to the following items:

- thyroid imaging
- thyroid cytology and molecular testing
- thyroid ablative technologies & techniques
- thyroid ablative procedures outcomes & side effects
- clinical case series
- original clinical case reports
- others, relevant to the topic of thyroid ablation

Free Communications Session is reserved for registered participants only.

GENERAL INFORMATION

MEETING VENUE

Best Western Classic Hotel

Via Pasteur 121/C | 42122 - Reggio Emilia (RE)

HOW TO REACH REGGIO EMILIA

BY PLANE/TRAIN: From **Milan Malpensa Airport**, the Trenord train service line connects Malpensa to Milano Centrale in about 50 minutes. Trains depart every 30 minutes. From Milan central station, Trenitalia and ItaloTreno connect Reggio Emilia AV Mediopadana in 44 minutes by train. Timetable on www.trenitalia.it - www.italotreno.it

From **Rome Fiumicino airport**, the non-stop train Leonardo Express arrives at Roma Termini station in 32 minutes. It departs every 15 minutes. From Rome Termini station, Trenitalia and ItaloTreno connect Reggio Emilia AV Mediopadana by train in 2 h 40 minutes. Timetable on www.trenitalia.it - www.italotreno.it

From **Bologna Airport** the Marconi Express train connects the Bologna central station from where the Trenitalia and ItaloTreno connect Reggio Emilia stations.

BY CAR: Motorway A1 Milan-Bologna, Reggio Emilia exit

REGISTRATION RATES (VAT INCLUDED)

Online registration form is available on the congress website thyroidnoduletherapiesassociation.com

	Until May 31 st 2023	Late registration On-site registration
Regular Registration	€ 400,00	€ 500,00
Special Registration (*)		
• TNT Association Members	€ 350,00	€ 400,00
• Students/Residents	€ 350,00	€ 400,00
Regular Registration, including hands-on practice	€ 480,00	Not available (**)
Special Registration (*), including hands-on practice		
• TNT Association Members	€ 400,00	Not available (**)
• Students/Residents	€ 400,00	Not available (**)
OPTIONAL FOR PARTICIPANTS		
Gala Dinner, Friday June 23rd, 2023	€ 90,00	On request upon availability

(*) Together with payment, please send the certificate attesting membership of the TNT Association, student or resident status.

(**) Only participants who have registered before May 31st, 2023, will be admitted to the hands-on practice. For organizational reasons, it will not be possible to register for hands-on practice after this date.

Registration rate includes: participation in scientific sessions and congress materials, coffee breaks and lunches, certificate of attendance.

Registration rate does not include: travel, hotel accommodation, transfers to/from airport/train stations, transfers to/from hotels, meals not included in the conference, and anything not specifically listed under "registration includes".

LANGUAGE

English is the official language of the Congress.
No simultaneous translation will be provided.

CME - For italian participants only

Provider n. 842:



4educational Srl
Tel. 0697605630
Fax 0697605650
info@4educational.it

TRAVEL AND LOCAL AGENCY



ITINERE | Viale B. Ramazzini, 72 - 42124 Reggio Emilia
<https://www.itinere.re.it/en/>

incoming@itinere.re.it

PRESS OFFICE



Elisa Braccia | elisabraccia@communiqué.it | M.p.: +39 346 395 1050
Paolo Angelini | paoloangelini@communiqué.it | M.p.: +39 349 239 4438

ORGANIZING SECRETARIAT



FASI SRL
Via O. Tommasini 7 - 00162 Rome
www.fasiweb.com



Livia Fioravanti | l.fioravanti@fasiweb.com | Tel. +39 06 97605621
Alessandra Petrucchi | a.petrucchi@fasiweb.com | Tel. +39 06 97605613

TNT ASSOCIATION
THYROID NODULE THERAPIES
2nd TNT MEETING

WWW.THYROIDNODULETHERAPIESASSOCIATION.COM

ORGANIZING SECRETARIAT



FASI s.r.l. | Via O. Tommasini 7 | 00162 Roma
tel. 06 97605610 | Fax 06 97605650
www.fasiweb.com

